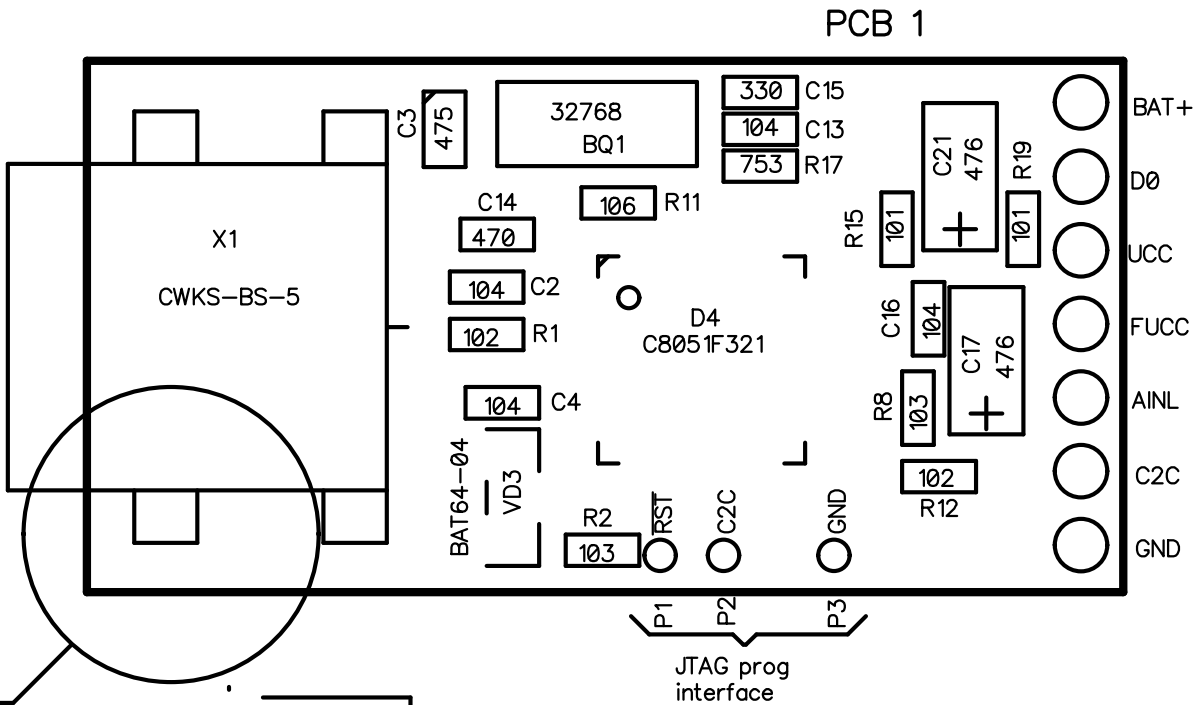
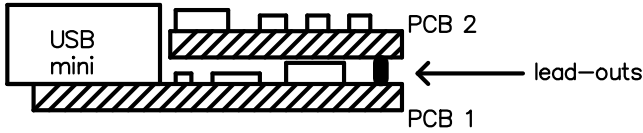


# Elic mini TINY

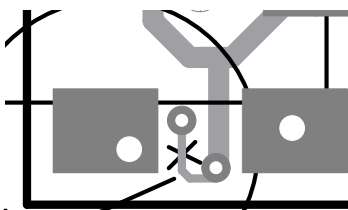
2EM-tiny.pcb  
Wed Jun 22, 2005

## TOP

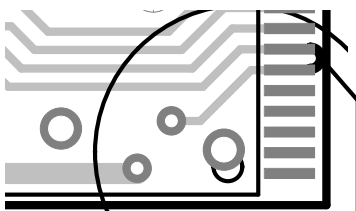


A

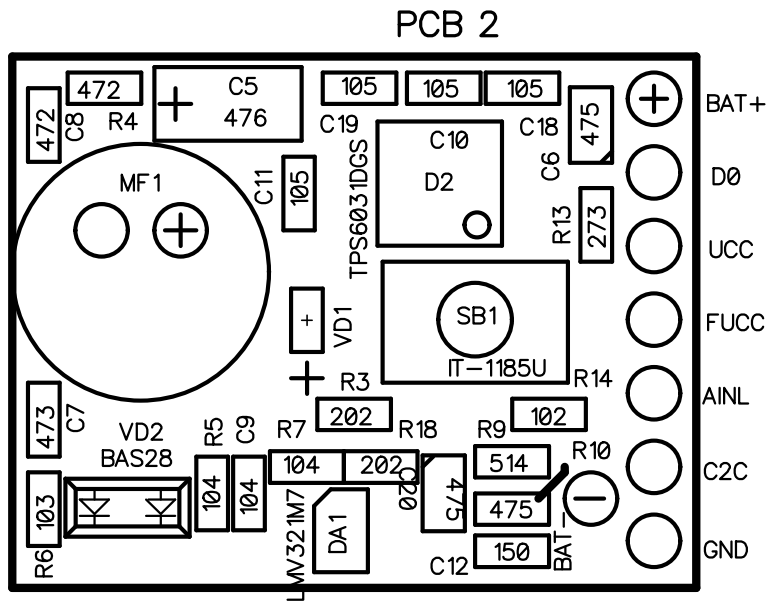
For K9F8G...(D3)



Cut



Connect D3/7  
and D3/6



# Elic mini TINY

2EM-tiny.pcb  
Wed Jun 22, 2005

## BOTTOM

