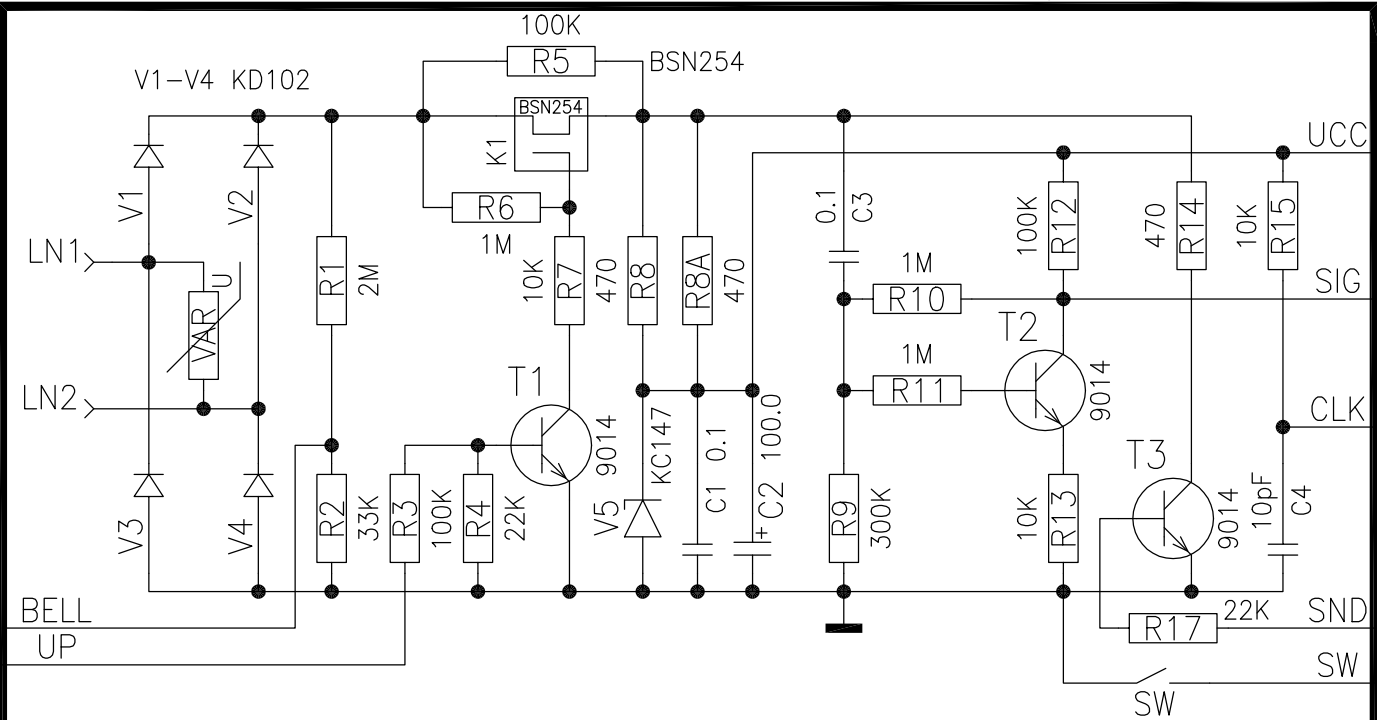


Quadro-DISA

(C)Telesystems



UCC	1	MCLR	PIC	RB7	28	SDA
SIG	2	RA0/AN0		RB6	27	SCL
BELL	3	RA1/AN1		RB5	26	SW
	4	RA2/AN2		RB4	25	X
	5	RA3/VRF		RB3	24	X
	6	RA4/T0C		RB2	23	X
	7	RA5/AN4		RB1	22	X
GND	8	VSS		RB0/INT	21	X
CLK	9	CLKIN		VDD	20	UCC
32K	10	CLKOUT		VSS1	19	GND
32K	11	RC0/T1C		RC7/RX	18	X
32K	12	RC1/CP2		RC6/TX	17	X
SND	13	RC2/CP1		RC5/SDO	16	UP
	14	RC3/SCL	D1	RC4/SDA	15	X

PIC16C73-04/P

